

Gas Appliance Pressure Regulators with integrated gas filter

FRI/6 Series

DUNGS[®]
Combustion Controls



CSA Certified

- ANSI Z21.18 / CSA 6.3
- Gas Appliance Pressure Regulator
- File # 1135455

EU Gas Appliance Directive

- EN 88
- CE-0087 AU 0030

UL Unlisted Component

- File # MH 16727 (sp)

Commonwealth of Massachusetts Approved Product

- Approval code G1-1107-35
- Gas pressure regulator and gas inline filter

US, Canadian and EU Models

- FRI 705/6
- FRI 707/6
- FRI 710/6
- FRI 712/6
- 1/2 in. NPT - 2 in. NPT
- Rp1/2 - Rp2

Codes and Standards:

This product is intended for installations covered by but not limited to NFPA 86, ANSI Z83.4, ANSI Z83.18, ANSI Z21.13, UL 795, CSD-1, or CSA B149.3.

DUNGS is an ISO 9001 manufacturing facility.



Description

The FRI/6 pressure regulator combines a pressure regulator and a 50 micron gas filter in one housing.

Various combinations are possible using the FRI/6 with the most of the DMV shutoff valves for a compact, modular system:

- Stand-alone pressure regulator and gas filter with threaded flanges, or direct mount to DMV sizes 701, 702 and 703 series safety shutoff valves.
- Regulator output pressure monitored by direct mounting an A2 type pressure switch. Additional ports to sense inlet and outlet pressure are also located on the threaded flanges.
- Precise and accurate regulation.

- Lock-up type regulator (The outlet pressure shall not rise more than 15% or 3 in. W.C, whichever is greater, above the setpoint).
- Factory installed vent limiter. Review applicable codes for vent line requirements.

Application

The FRI/6 pressure regulator is recommended for industrial and commercial heating applications and is suitable for natural gas, propane, butane, air and inert gases. Suitable for up to 0.1% by volume, dry H₂S.

FRI/6 Spring-loaded pressure regulator with adjustable setpoint spring. Internal sensor for regulating output pressure. Integrated 50 micron gas filter. Direct mounting of A2 pressure switch possible.

Specifications

Body sizes Flanges	FRI 705/6 - FRI 707/6 1/2" - 1" NPT or Rp	FRI 710/6 - 712/6 1" - 2" NPT or Rp
Max. operating pressure	7 PSI (500 mbar) UL and CE 5 PSI (350 mbar) CSA	
Max. body pressure	15 PSI (1000 mbar)	
Input pressure range	2 in. W.C. to 200 in. W.C. (5 mbar to 500 mbar)	
Output pressure range	1 in. W.C. to 60 in. W.C. (2.5 mbar to 150 mbar); adjustable with different springs Actual outlet pressure is +/- 15% of set pressure (15% hysteresis/droop)	
Materials in contact with gas	Housing: Aluminium Seals and diaphragms: NBR-based rubber	
Ambient temperature rating	+5 °F to +150 °F for up to 7 PSI for regulating behavior (+/- 10% of setpoint). -40 °F to +150 °F: Diaphragms are suitable for the low temperature, but there may be out of range regulating behavior. CSA Certified for -40 °F to +150 °F for up to 5 PSI. -15 °C to +70 °C applies to the CE Marking.	
Installation position	Regulator dome from vertically upright to lying horizontally	
Test ports/ Pressure switch mounting ports	One G 1/8 ISO 228 test ports on each side of regulator, sensing downstream pressure, and one on each inlet and outlet flange (if used as a stand alone regulator).	
Gas filter (standard)	50 micron; replaceable	
Vent line / Back loading port/ Breathing plug	Vent line connection is G 1/4 ISO 228. The FRI/6 also has a factory installed, which limits the escape of gas to less than 0.5 CFH in case diaphragm ruptures. No venting is required when accepted by the authority having jurisdiction.	
Hysteresis/Droop	Hysteresis/repeatability is less than 10% for up to 7 PSI inlet. Average droop at 20:1 turndown is 10% for up to 7 PSI.	

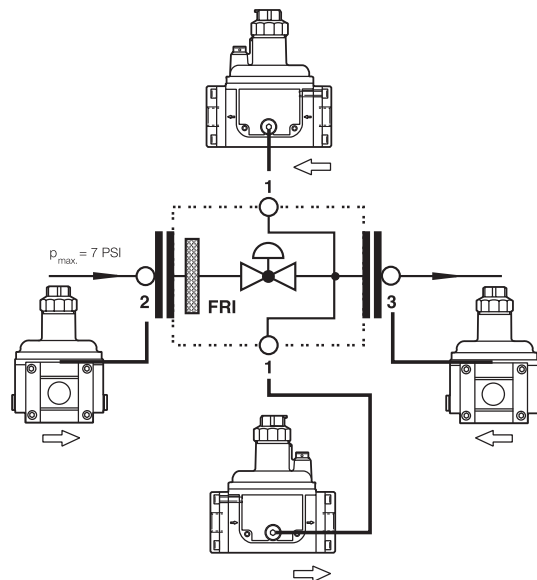
FRI pressure ports

1, 2, 3 (Ports 2 and 3 are located on flange)

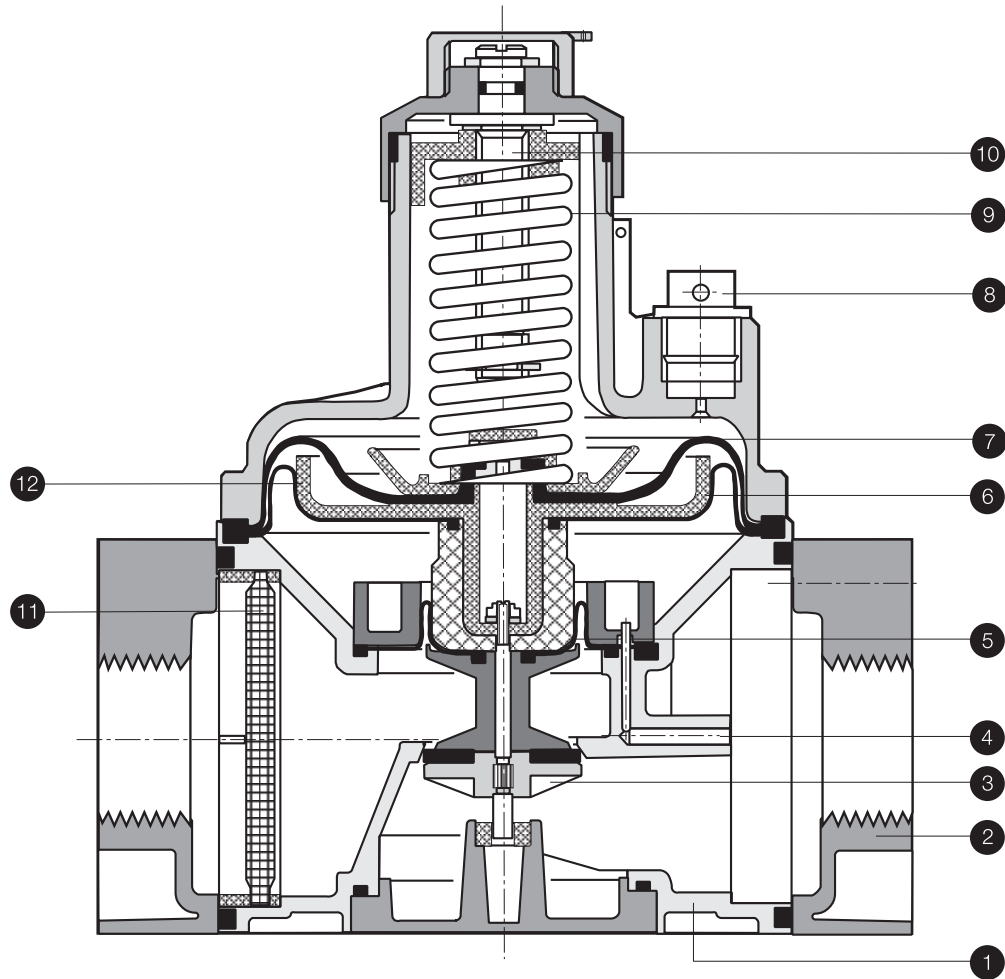
Port 1 is thread type G 1/8 as per DIN ISO 228

Ports 2 and 3 are thread type G 1/8 as per DIN ISO 228

All ports can be used with accessories or A2 pressure switches.



FRI sectional drawing
Shown in closed position

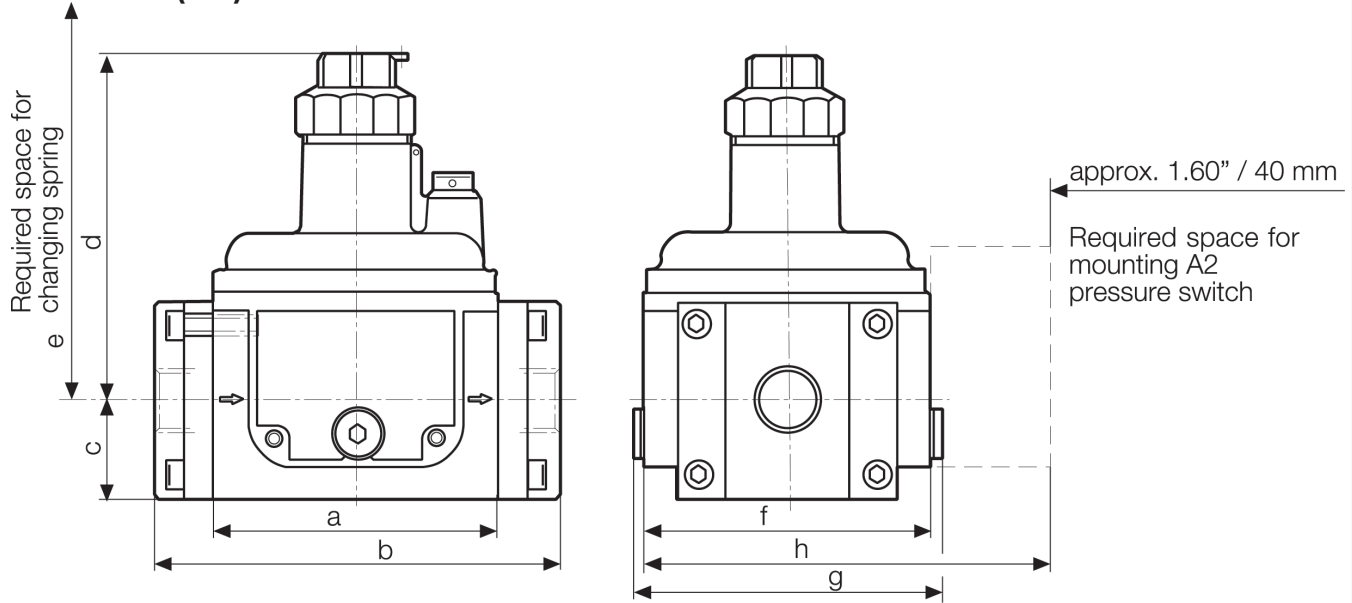


- | | | | | | |
|---|-------------------------|---|---|----|-------------------------|
| 1 | Housing | 6 | Working diaphragm | 10 | Setpoint adjuster shaft |
| 2 | Threaded flange | 7 | Safety diaphragm | 11 | Gas filter |
| 3 | Regulating disc. | 8 | Vent line / Backloading port / Breathing plug | 12 | Diaphragm plate |
| 4 | Internal impulse sensor | 9 | Setpoint spring | | |
| 5 | Compensation diaphragm | | | | |

Setpoint range [in. W.C.] Horizontal Mount	1 to 3.6	2 to 5	2.8 to 8	Standard 4 to 12	10 to 22	12 to 28	24 to 40	40 to 60	60 to 80
Spring color	*brown	white	orange	blue	red	yellow	black	pink	*grey
Order No. FRI 705/6 - 707/6 FRI 710/6 - 712/6	229-817 229-842	229-818 229-843	229-820 229-844	229-821 229-845	229-822 229-846	229-823 229-847	229-824 229-848	229-825 229-849	229-826 229-850

***Not CSA Certified**

Dimensions inch (mm)



For dimension b
 FRI 710/712: 1, 1 1/4 in. NPT = 6.93"
 FRI 710/712: 1 1/2, 2 in. NPT = 8.11"

Order flanges separately.

Type	NPT	Order No.	Dimensions [inch]								Weight	
			a	b	c	d	e	f	g	h	[lbs]	Weight [kg]
FRI 705/6	1/2" - 1"	230-472	3.6	5.6	1.3	6.0	7.7	3.8	4.1	5.5	2.0	
			92	141	33	152	195	96	104	139	0,9	
FRI 707/6	1/2" - 1"	230-473	3.6	5.6	1.3	6.0	7.7	3.8	4.1	5.5	2.0	
			92	141	33	152	195	96	104	139	0,9	
FRI 710/6	1" - 2"	230-474	4.9	6.9/8.1	1.8	6.9	9.3	5.0	5.3	6.7	3.5	
			124	176/206	45	175	235	126	135	169	1,6	
FRI 712/6	1" - 2"	230-475	4.9	6.9/8.1	1.8	6.9	9.3	5.0	5.3	6.7	3.5	
			124	176/206	45	175	235	126	135	169	1,6	

Type	Flange NPT	Order No.	Integral Filter	Order No.	Strainer & filter Replacement	Order No.
FRI 705/6 -FRI 707/6	1/2"	222-371	FRI 705/6 &	214-276	FRI 705/6 &	230-440
FRI 705/6 -FRI 707/6	3/4"	222-368	FRI 707/6		FRI 707/6	
FRI 705/6 -FRI 707/6	1"	221-999				
FRI 710/6 -FRI 712/6	1"	222-369	FRI 710/6 &	214-525	FRI 710/6 &	230-441
FRI 710/6 -FRI 712/6	1 1/4"	222-370	FRI 712/6		FRI712/6	
FRI 710/6 -FRI 712/6	1 1/2"	222-003				
FRI 710/6 -FRI 712/6	2"	221-997				

Stand alone mounting kit (one kit included in each FRI box)

Order No.

Includes

FRI 705/6 & FRI 707/6
 FRI 710/6 & FRI 712/6

224-093
 224-094

Consists of 8 bolts: M6 x 30; 2 x orings.
 Consists of 8 bolts: M8 x 35 for 1" NPT and 1 1/4" NPT, and 8 bolts: M8 x 40 for 1 1/2" NPT and 2".
 2 o-rings

DMV mounting kit (one kit included in each FRI box)

Order No.

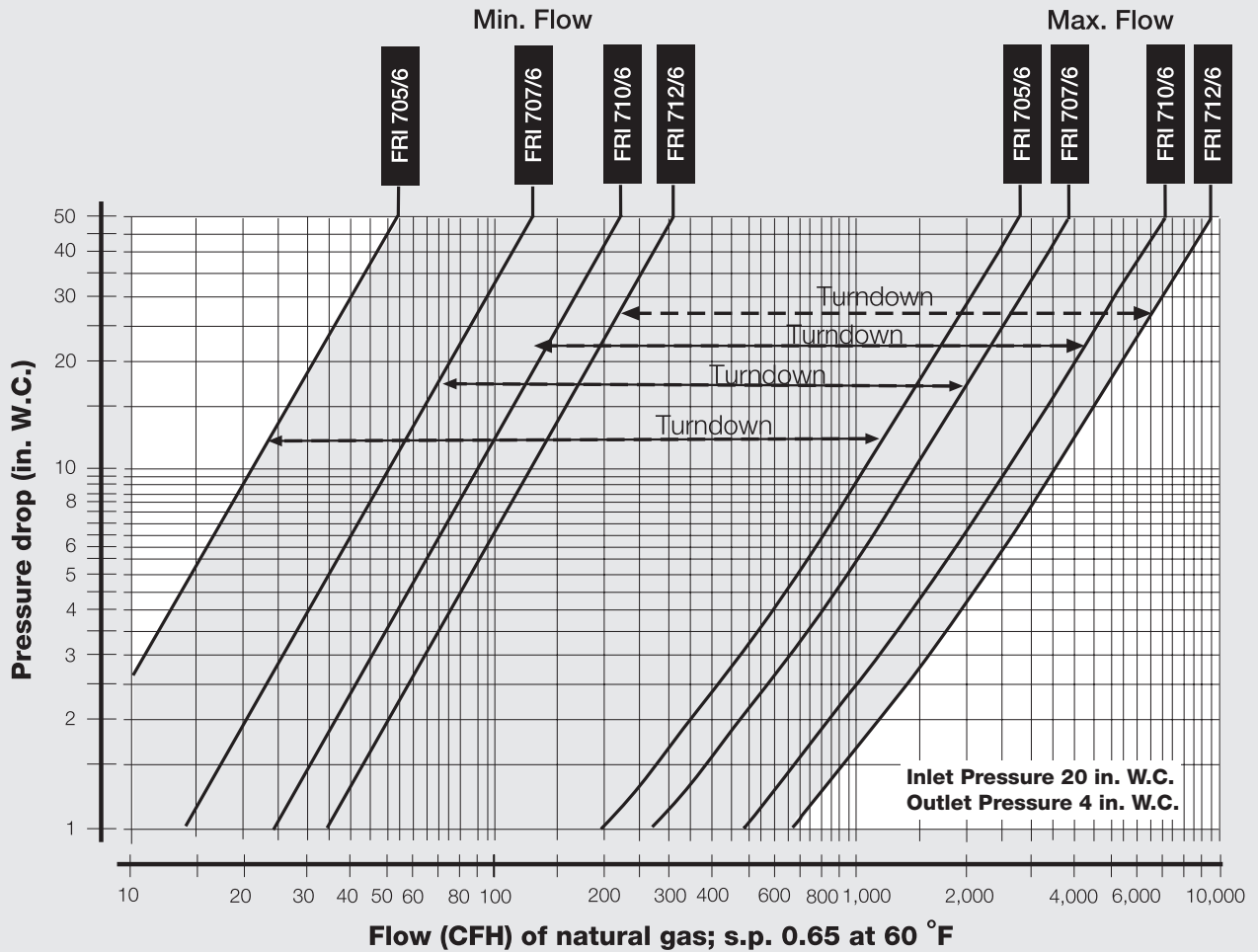
Includes

FRI 705/707 on DMV 701
 FRI 710/712 on DMV 702 & 703

219-967
 219-968

4 bolts: M6 x 30 and 1 oring
 4 bolts: M8 x 45 and 1 oring

Regulator turndown characteristics with gas filter / in regulated state.
Inlet pressure is 20 in. W.C. and outlet is set to 4 in. W.C.



Approximate flow increase in CFH (natural gas) when removing the integral filter from the FRI.

At a pressure drop of:	FRI 705/6	FRI 707/6	FRI 710/6	FRI 712/6
0.8 in. W.C.	25 CFH	50 CFH	390 CFH	765 CFH
2.0 in. W.C.	35 CFH	70 CFH	480 CFH	940 CFH
4.0 in. W.C.	35 CFH	75 CFH	575 CFH	1180 CFH
8.0 in. W.C.	35 CFH	80 CFH	700 CFH	1510 CFH

$$\dot{V}_{\text{gas used}} = \dot{V}_{\text{Natural Gas}} \times f$$

f = correction factor to determine flow through valves with other gases.

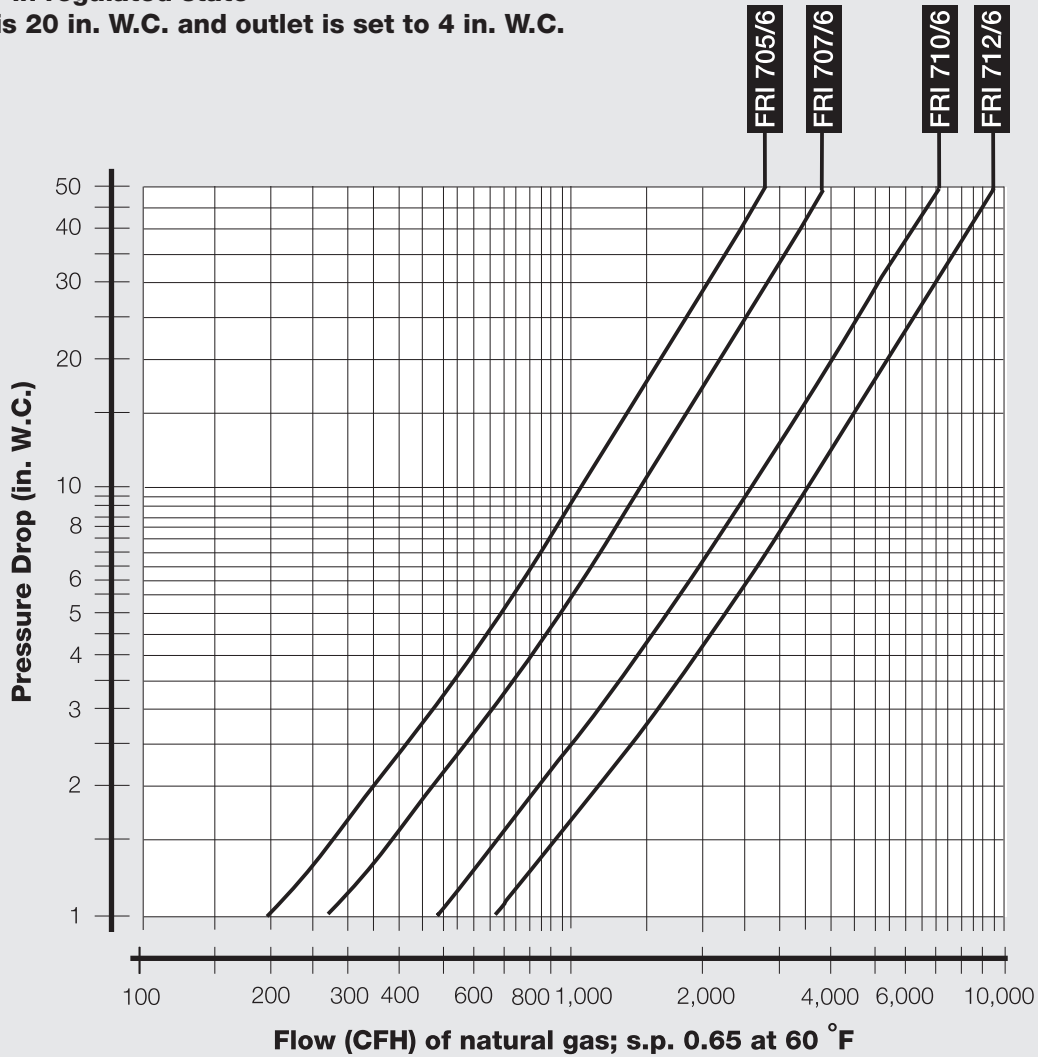
$$f = \sqrt{\frac{\text{Spec. gravity of Natural Gas}}{\text{Spec. gravity of gas used}}}$$

Type of gas	Density [kg/m ³]	sg	f
Natural gas	0.81	0.65	1.00
Butane	2.39	1.95	0.58
Propane	1.86	1.50	0.66
Air	1.24	1.00	0.80

**Pressure regulator with
integrated gas filter
FRI/6**



**Flow curve for sizing regulator
with gas filter / in regulated state
Inlet pressure is 20 in. W.C. and outlet is set to 4 in. W.C.**



We reserve the right to make any changes in the interest of technical progress.

Karl Dungs Inc.
524 Apollo Drive, Suite 10
Lino Lakes, MN 55014, U.S.A.
Phone 651 792-8912
Fax 651 792-8919
e-mail info@karldungsusa.com
Internet <http://www.dungs.com/usa/>

Karl Dungs GmbH & Co. KG
P.O. Box 12 29
D-73602 Schorndorf, Germany
Phone +49 (0)7181-804-0
Fax +49 (0)7181-804-166
e-mail info@dungs.com
Internet <http://www.dungs.com>